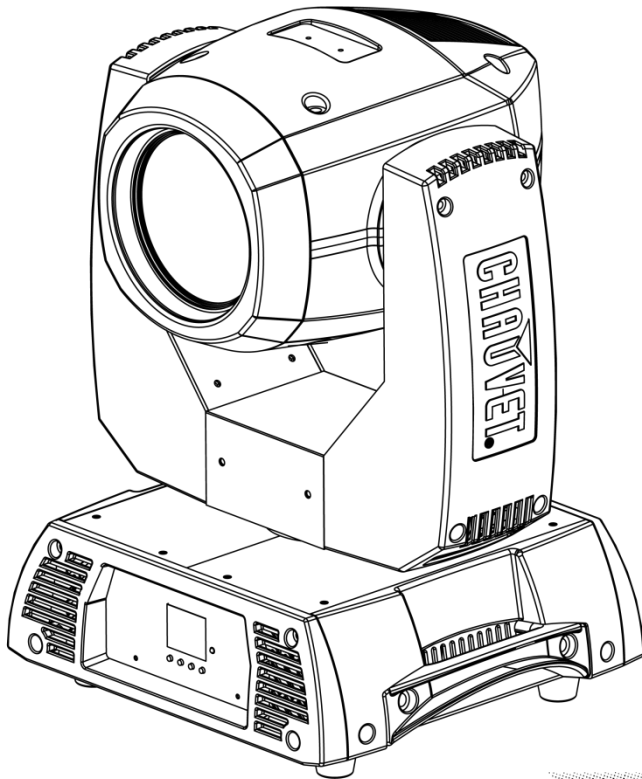


ROGUE™



Quick Reference Guide

English	EN
Español	ES
Français	FR
Nederlands	NL



CHAUVET®
PROFESSIONAL

About This Guide The Rogue™ R1 Beam Quick Reference Guide (QRG) has basic product information such as connection, mounting, menu options, and DMX values. Download the User Manual from www.chauvetprofessional.com for more details.

Disclaimer The information and specifications contained in this QRG are subject to change without notice.

- Safety Notes**
- DO NOT open this product. It contains no user-serviceable parts.
 - DO NOT look at the light source when the product is on.
 - To eliminate unnecessary wear and improve its lifespan, during periods of non-use completely disconnect the product from power via breaker or by unplugging it.
 - CAUTION: When transferring product from extreme temperature environments, (e.g. cold truck to warm humid ballroom) condensation may form on the internal electronics of the product. To avoid causing a failure, allow product to fully acclimate to the surrounding environment before connecting it to power.
 - CAUTION: This product’s housing may be hot when lights are operating.
 - Mount this product in a location with adequate ventilation, at least 20 in (50 cm) from adjacent surfaces.
 - DO NOT leave any flammable material within 50 cm of this product while operating or connected to power.
 - USE a safety cable when mounting this product overhead.
 - DO NOT operate this product outdoors or in any location where dust, excessive heat, water, or humidity may affect it. (IP20)
 - DO NOT operate this product if the housing, lenses, or cables appear damaged.
 - DO NOT connect this product to a dimmer or rheostat.
 - ONLY connect this product to a grounded and protected circuit.
 - ONLY use the mounting brackets or the handles to carry this product. Do not carry by the moving head.
 - In the event of a serious operating problem, stop using immediately.
 - The maximum ambient temperature is 113 °F (45 °C). Do not operate this product at higher temperatures.

Contact Outside the U.S., United Kingdom, Ireland, Mexico, or Benelux, contact your distributor to request support or return a product. From inside the U.S., UK, Ireland, Mexico, or Benelux, use the information in [Contact Us](#) at the end of this QRG.

- What Is Included**
- Rogue™ R1 Beam
 - Neutrik® powerCON® power cord
 - 2 Omega brackets with mounting hardware
 - Warranty Card
 - Quick Reference Guide

AC Power This product has an auto-ranging power supply that can work with an input voltage range of 100–240 VAC, 50/60 Hz.



To eliminate unnecessary wear and improve its lifespan, during periods of non-use completely disconnect the product from power via breaker or by unplugging it.

AC Plug

Connection	Wire (U.S.)	Wire (Europe)	Screw Color
AC Live	Black	Brown	Yellow/Brass
AC Neutral	White	Blue	Silver
AC Ground	Green/Yellow	Green/Yellow	Green

Replacing The Fuse

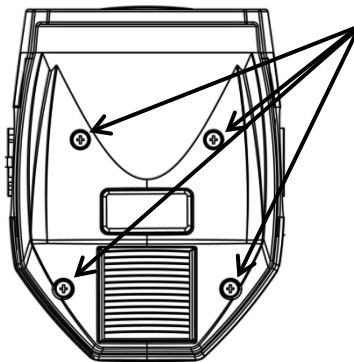
1. Disconnect this product from power.
2. Using a flat-head screwdriver, unscrew the fuse holder cap from the housing.
3. Remove blown fuse and replace with a good fuse of the same type and rating.
4. Screw the fuse holder cap back in place and reconnect power.

Lamp Replacement

1. Turn the fixture off and disconnect it from power.
2. Wait at least 15 minutes for the lamp to cool down.
3. Remove both head covers by removing 8 Phillips-head ¼-turn screws.
4. Orient the rear of the product so that the fan is facing upward.
5. Remove the 2 Phillips-head screws on the sides of the fan assembly.
6. Roll the fan assembly to the right to expose the lamp.
7. Using the lamp base, push the lamp down against the spring clips located on the bottom, then roll the lamp out the top.
8. Unscrew the 2 wires connected to the lamp by the spade terminals.
9. Reverse the steps above to install the new lamp.



Please refer to the User Manual for more detailed instructions with images.

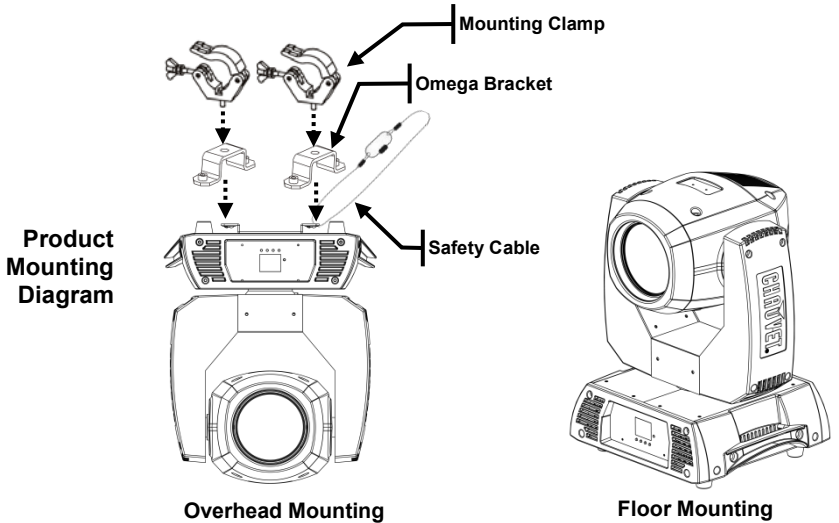


¼-turn
Phillips-head
screws

DMX Linking The Rogue™ R1 Beam will work with a DMX controller using a 3- or 5-pin DMX data connection. A DMX Primer is available from www.chauvetprofessional.com

DMX Connection The Rogue™ R1 Beam uses a 3- or 5-pin DMX data connection for its DMX personalities: **15CH** and **19CH**. See the User Manual for information about connecting and configuring the product for DMX operation.

Mounting Before mounting this product, read the [Safety Notes](#). Use at least two mounting points per product. Make sure the mounting clamps are capable of supporting the weight of the product. For our CHAUVET® line of mounting clamps, go to russt.com/productcategory/base-plates-accessories-clamps/.



Control Panel Description

Button	Function
<MENU>	Exits from the current menu or function
<ENTER>	Enables the currently displayed menu or sets the currently selected value into the selected function
<UP>	Navigates upwards through the menu list or increases the numeric value when in a function
<DOWN>	Navigates downwards through the menu list or decreases the numeric value when in a function

Menu Map

Main Level	Programming Levels		Description	
Address	001–512		Sets the DMX starting address	
Run Mode	DMX	15CH	Selects the DMX mode	
		19CH		
	Auto Test		Runs the product's test sequence	
	Manual Test	Pan	000–255	Allows manual control of all settings from the control panel
		Pan Fine		
		Tilt		
		Tilt Fine		
		P/T Speed		
		Dimmer		
		Dimmer Fine		
		Shutter		
		Color		
		Gobo		
		Prism1		
		R-Prism1		
Prism2				
R-Prism Fine				
Focus				
P/T Macro				
P/T Ma.Speed				
Special Function				

Menu Map (Cont.)

Main Level	Programming Levels		Description	
Setup	Pan Reverse	YES	Reverse pan operation	
		NO	Normal pan operation	
	Tilt Reverse	YES	Reverse tilt operation	
		NO	Normal tilt operation	
	Screen Reverse	YES	Rotates control screen view 180°	
		NO	Normal control screen view	
	Pan Angle	540	Selects the 540° pan angle range	
		360	Selects the 360° pan angle range	
		180	Selects the 180° pan angle range	
	Tilt Angle	270	Selects the 270° tilt angle range	
		180	Selects the 180° tilt angle range	
		90	Selects the 90° tilt angle range	
	BL.O.P/T Move	YES	Defines the pan/tilt move-in-black delay	
		NO		
	BL.O.ColorMove	YES	Defines the color change move-in-black delay	
		NO		
	BL.O.GoboMove	YES	Defines the gobo change move-in-black delay	
		NO		
	Lamp Settings	On/Off	ON	Turns lamp on/off
			OFF	
		State/Power on	ON	Defines the status of lamp when powering up product
			OFF	
		Off Via Dmx	YES	Turns off the unit via DMX controller
			NO	
On If Dmx On		YES	Turns lamp on when DMX signal is detected	
		NO		
Off If Dmx Off		YES	Turns lamp off when DMX signal is lost	
		NO		
Ignition Delay		000–255	Selects duration of delay between product power on and lamp power on	
Low Power Delay		000–255	Selects the duration of delay when shutter is closed and lamp enters lower power state	
Reset Lamp Time	YES	Resets lamp timer to 0		
	NO	Leaves lamp time unchanged		

Menu Map (Cont.)

Main Level	Programming Levels		Description	
Setup (Cont.)	Maintenance Timer	Interval	10–250	Defines amount of hours between maintenance
		Remaining Time	NO	Shows amount of time remaining in maintenance cycle
			RESET	Resets the time back to the beginning
	Reset Function	Pan/Tilt	YES	Resets pan/tilt functions to the home position
			NO	
		Prism	YES	Resets all prism functions to the home position
			NO	
		Color	YES	Resets all color functions to the home position
			NO	
		Gobo	YES	Resets all gobo functions to the home position
			NO	
		Shutter/ Focus	YES	Resets the shutter and focus functions to the home position
			NO	
		All	YES	Resets all functions to the home position
NO				
Factory Settings	YES		Reverts the product back to the original factory settings	
	NO			
Sys Info	Ver:		Displays the software version	
	Running Mode:		Displays the current running mode	
	Dmx Address:		Displays the current DMX address	
	Temperature:		Displays the product's temperature in Celsius	
	Lamp On Time:		Displays the amount of time the lamp has been on (provided the counter has been reset upon installation of new lamp)	
	Remain Time:		Shows amount of time remaining in maintenance cycle	

DMX Values

19CH	Channel	Function	Value	Percent/Setting
	1	Pan	000-255	0-100%
	2	Fine Pan	000-255	0-100%
	3	Tilt	000-255	0-100%
	4	Fine Tilt	000-255	0-100%
	5	Pan/Tilt Speed	000-255	0-100%
	6	Dimmer	000-255	0-100%
	7	Fine Dimmer	000-255	0-100%
	8	Shutter	000-007	Closed
			008-015	Open
			016-031	Slow to fast
			132-0167	Fast close, slow open (slow to fast)
			168-0203	Slow close, fast open (slow to fast)
			204-0239	Pulse effect from slow to fast
			240-0247	Random effect from slow to fast
			248-0255	Open
	9	Color Wheel	000-004	Open
			005-008	Red
			009-012	Deep yellow
			013-016	Turquoise
			017-020	Green
			021-024	Light green
			025-028	Light purple
			029-032	Pink
			033-036	Light yellow
			037-040	Magenta
			041-044	Blue
			045-048	CTO 3200 K
			049-052	CTO 5600 K
			053-056	CTO 6500 K
			057-060	UV
			061-127	Split colors
	128-189	Clockwise color scroll, fast to slow		
	190-193	Stop		
	194-255	Counter-clockwise color scroll, slow to fast		

DMX Values (Cont.)

19CH (Cont.)	Channel	Function	Value	Percent/Setting
	10	Gobo Wheel	000 ∘ 003	Open
			004 ∘ 006	Gobo 1
			007 ∘ 009	Gobo 2
			010 ∘ 012	Gobo 3
			013 ∘ 015	Gobo 4
			016 ∘ 018	Gobo 5
			019 ∘ 021	Gobo 6
			022 ∘ 024	Gobo 7
			025 ∘ 027	Gobo 8
			028 ∘ 030	Gobo 9
			031 ∘ 033	Gobo 10
			034 ∘ 036	Gobo 11
			037 ∘ 039	Gobo 12
			040 ∘ 042	Gobo 13
			043 ∘ 045	Gobo 14
			046 ∘ 048	Gobo 15
			049 ∘ 051	Gobo 16
	052 ∘ 055	Gobo 17		
	056 ∘ 059	Open		
	060 ∘ 127	Gobo shake 1–17, slow to fast		
	128 ∘ 189	Clockwise gobo scroll, fast to slow		
	190 ∘ 193	Stop		
	194 ∘ 255	Counter-clockwise gobo scroll, slow to fast		
	11	Prism 1	000 ∘ 004	No function
			005 ∘ 255	Prism insert
	12	Prism 1 Rotate	000 ∘ 127	Prism index
			128 ∘ 189	Counter-clockwise rotation, fast to slow
			190 ∘ 193	Stop
			194 ∘ 255	Clockwise rotation, slow to fast
	13	Prism 2	000 ∘ 004	No function
			005 ∘ 255	Prism insert
	14	Prism 2 Rotate	000 ∘ 127	Prism index
			128 ∘ 189	Counter-clockwise rotation, fast to slow
			190 ∘ 193	Stop
			194 ∘ 255	Clockwise rotation, slow to fast
	15	Fine Prism Rotate	000 ∘ 255	0–100%
	16	Focus	000 ∘ 255	0–100%

DMX Values (Cont.)

19CH (Cont.)	Channel	Function	Value	Percent/Setting
			000 007	No function
			008 015	Effect 1
			016 023	Effect 2
			024 031	Effect 3
			032 039	Effect 4
			040 047	Effect 5
			048 055	Effect 6
			056 063	Effect 7
			064 071	Effect 8
			072 079	Effect 9
			080 087	Effect 10
			088 095	Effect 11
			096 103	Effect 12
			104 111	Effect 13
			112 119	Effect 14
			120 127	Effect 15
	17	Movement Macros	128 135	Effect 16
			136 143	Effect 17
			144 151	Effect 18
			152 159	Effect 19
			160 167	Effect 20
			168 175	Effect 21
			176 183	Effect 22
			184 191	Effect 23
			192 199	Effect 24
			200 207	Effect 25
			208 215	Effect 26
			216 223	Effect 27
			224 231	Effect 28
			232 239	Effect 29
			240 247	Effect 30
			248 255	Effect 31

DMX Values (Cont.)

19CH (Cont.)	Channel	Function	Value	Percent/Setting
	18	Movement Macro Speed	000 ∘ 255	0–100%
	19	Control	000 ∘ 029	No function
			030 ∘ 039	Dimmer conventional mode
			040 ∘ 049	Dimmer linear mode
			050 ∘ 059	Pan/Tilt fast mode
			060 ∘ 069	Pan/Tilt normal mode
			070 ∘ 079	Blackout during pan/tilt (3 sec hold)
			080 ∘ 089	Disable pan/tilt blackout (3 sec hold)
			090 ∘ 099	Blackout while color wheel moving (3 sec hold)
			100 ∘ 109	Disable color wheel blackout (3 sec hold)
			110 ∘ 119	Blackout while gobo wheels moving (3 sec hold)
			120 ∘ 129	Disable gobo wheel blackout (3 sec hold)
			130 ∘ 139	Lamp on
			140 ∘ 149	Pan/Tilt reset
			150 ∘ 159	Color wheel reset
			160 ∘ 169	Gobo wheel reset
			170 ∘ 179	No function
			180 ∘ 189	Shutter/Focus reset
			190 ∘ 199	All reset
			200 ∘ 219	Blackout all function during pan/tilt
			220 ∘ 229	Disable blackout all functions during pan/tilt
			230 ∘ 239	Lamp off
			240 ∘ 247	Pan/Tilt movement ramp speed, increase on
			248 ∘ 255	Pan/Tilt movement ramp speed, increase off

15CH	Channel	Function	Value	Percent/Setting
	1	Pan	000 ∘ 255	0–100%
	2	Fine Pan	000 ∘ 255	0–100%
	3	Tilt	000 ∘ 255	0–100%
	4	Fine Tilt	000 ∘ 255	0–100%
	5	Pan/Tilt Speed	000 ∘ 255	0–100%
	6	Dimmer	000 ∘ 255	0–100%
	7	Shutter	000 ∘ 007	Closed
			008 ∘ 015	Open
			016 ∘ 131	Slow to fast
			132 ∘ 167	Fast close, slow open (slow to fast)
			168 ∘ 203	Slow close, fast open (slow to fast)
			204 ∘ 239	Pulse effect from slow to fast
			240 ∘ 247	Random effect from slow to fast
			248 ∘ 255	Open

DMX Values (Cont.)

15CH (Cont.)	Channel	Function	Value	Percent/Setting
8	Color Wheel	000	004	Open
		005	008	Red
		009	012	Deep yellow
		013	016	Turquoise
		017	020	Green
		021	024	Light green
		025	028	Light purple
		029	032	Pink
		033	036	Light yellow
		037	040	Magenta
		041	044	Blue
		045	048	CTO 3200 K
		049	052	CTO 5600 K
		053	056	CTO 6500 K
		057	060	UV
		061	127	Split colors
128	189	Clockwise color scroll, fast to slow		
190	193	Stop		
194	255	Counter-clockwise color scroll, slow to fast		
9	Gobo Wheel	000	003	Open
		004	006	Gobo 1
		007	009	Gobo 2
		010	012	Gobo 3
		013	015	Gobo 4
		016	018	Gobo 5
		019	021	Gobo 6
		022	024	Gobo 7
		025	027	Gobo 8
		028	030	Gobo 9
		031	033	Gobo 10
		034	036	Gobo 11
		037	039	Gobo 12
		040	042	Gobo 13
		043	045	Gobo 14
		046	048	Gobo 15
049	051	Gobo 16		
052	055	Gobo 17		
056	059	Open		
060	127	Gobo shake 1–17, slow to fast		
128	189	Clockwise gobo scroll, fast to slow		
190	193	Stop		
194	255	Counter-clockwise gobo scroll, slow to fast		
10	Prism 1	000	004	No function
		005	255	Prism insert
11	Prism 1 Rotate	000	127	Prism index
		128	189	Counter-clockwise rotation, fast to slow
		190	193	Stop
		194	255	Clockwise rotation, slow to fast

DMX Values (Cont.)

15CH (Cont.)	Channel	Function	Value	Percent/Setting
	12	Prism 2	000○ 004 005○ 255	No function Prism insert
	13	Prism 2 Rotate	000○ 127 128○ 189 190○ 193 194○ 255	Prism index Counter-clockwise rotation, fast to slow Stop Clockwise rotation, slow to fast
	14	Focus	000○ 255	0–100%
	15	Control	000○ 029 030○ 039 040○ 049 050○ 059 060○ 069 070○ 079 080○ 089 090○ 099 100○ 109 110○ 119 120○ 129 130○ 139 140○ 149 150○ 159 160○ 169 170○ 179 180○ 189 190○ 199 200○ 219 220○ 229 230○ 239 240○ 247 248○ 255	No function Dimmer conventional mode Dimmer linear mode Pan/Tilt fast mode Pan/Tilt normal mode Blackout during pan/tilt (3 sec hold) Disable pan/tilt blackout (3 sec hold) Blackout while color wheel moving (3 sec hold) Disable color wheel blackout (3 sec hold) Blackout while gobo wheels moving (3 sec hold) Disable gobo wheel blackout (3 sec hold) Lamp on Pan/Tilt reset Color wheel reset Gobo wheel reset No function Shutter/Focus reset All reset Blackout all function during pan/tilt Disable blackout all functions during pan/tilt Lamp off Pan/Tilt movement ramp speed, increase on Pan/Tilt movement ramp speed, increase off

Acerca de esta Guía La Guía de Referencia Rápida (GRR) del Rogue™ R1 Beam contiene información básica sobre el producto, como conexión, montaje, opciones de menú y valores DMX. Descargue el Manual de Usuario de www.chauvetprofessional.com para información más detallada.

Exención de Responsabilidad La información y especificaciones contenidas en esta GRR están sujetas a cambio sin previo aviso.

- Notas de Seguridad**
- NO abra este producto. No contiene piezas reparables por el usuario.
 - NO mire a la fuente de luz cuando el producto esté encendido.
 - Para evitar un desgaste innecesario y alargar su vida útil, desconecte completamente el producto de la alimentación, mediante el interruptor o desenchufándolo, durante los periodos en los que no se use.
 - Cuidado: cuando transfiera el producto desde ambientes con temperatura extrema (p. ej., del remolque frío de un camión a una sala de baile con calor y humedad), puede formarse condensación en la electrónica interna del producto. Para evitar que se produzca una avería, deje que el producto se aclimate completamente al ambiente antes de conectar la alimentación.
 - CUIDADO: La carcasa de este producto puede estar caliente cuando las luces están en funcionamiento.
 - Monte este producto en una ubicación con ventilación adecuada, al menos a 20" (50 cm) de superficies adyacentes.
 - NO deje ningún material inflamable a menos de 50 cm de este producto mientras esté funcionando o conectado a la alimentación.
 - USE un cable de seguridad cuando monte este producto en lo alto.
 - NO ponga en funcionamiento este producto en el exterior o en cualquier ubicación en la que el polvo, calor excesivo, agua o humedad puedan afectarlo. (IP20)
 - NO ponga en funcionamiento este producto si sospecha que la carcasa, lentes o cables están dañados.
 - NO conecte este producto a un atenuador o reostato.
 - Conecte este producto SOLO a un circuito con toma de tierra y protegido.
 - Use SOLAMENTE los soportes de montaje o las asas para mover este producto. NO lo transporte agarrando por la cabeza móvil.
 - En caso de un problema grave de funcionamiento, deje de usarlo inmediatamente.
 - La temperatura ambiente máxima es de 113 °F (45 °C). No haga funcionar este producto a temperaturas más altas.

Contacto Fuera de EE.UU., Reino Unido, Irlanda, México o Benelux póngase en contacto con su distribuidor para solicitar asistencia o devolver el producto. Desde dentro de EE.UU., Reino Unido, Irlanda, México o Benelux, utilice la información de [Contact Us](#) del final de esta GRR.

- Qué va Incluido**
- Rogue™ R1 Beam
 - Cable de alimentación
 - Neutrik® powerCON®
 - 2 soportes Omega con material de montaje
 - Tarjeta de garantía
 - Guía de Referencia Rápida

Corriente alterna Este producto tiene una fuente de alimentación con detección automática que puede funcionar con un rango de tensión de entrada de 100–240 VCA, 50/60 Hz.



Para evitar un desgaste innecesario y alargar su vida útil, desconecte completamente el producto de la alimentación, mediante el interruptor o desenchufándolo, durante los periodos en los que no se use.

Enchufe CA	Conexión	Cable (EE.UU.)	Cable (Europa)	Color del tornillo
CA Cargado		Negro	Marrón	Amarillo/Latón
CA Neutro		Blanco	Azul	Plata
CA Tierra		Verde/Amarillo	Verde/Amarillo	Verde

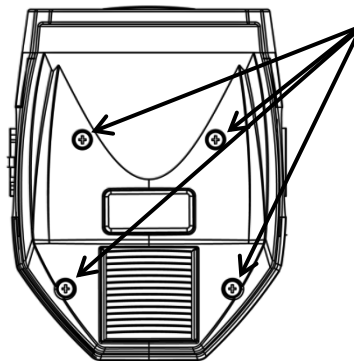
- Sustitución del Fusible**
1. Desconecte este producto de la alimentación.
 2. Utilizando un destornillador plano, desatornille la tapa del portafusibles de la carcasa.
 3. Quite el fusible fundido del portafusibles y sustitúyalo con uno nuevo del mismo tipo y categoría.
 4. Vuelva a atornillar la tapa del portafusibles en su sitio y conecte de nuevo la alimentación.

- Sustitución de la Lámpara**
1. Apague el dispositivo y desconéctelo de la toma de alimentación.
 2. Espere al menos 15 minutos a que la lámpara se enfríe.
 3. Quite las dos cubiertas de la cabeza quitando los 8 tornillos de estrella con un $\frac{1}{4}$ de vuelta.
 4. Oriente la parte trasera del producto de forma que el ventilador mire hacia arriba.
 5. Quite los 2 tornillos de estrella de los laterales del conjunto del ventilador.
 6. Gire el conjunto del ventilador hacia la derecha para dejar la lámpara al descubierto.
 7. Usando la base de la lámpara, empuje la lámpara hacia abajo contra los clips de muelle situados en la parte inferior; luego saque rodando la lámpara.
 8. Quite los dos cables conectados a la lámpara mediante los conectores de horquilla.
 9. Repita a la inversa los pasos anteriores para instalar la lámpara nueva.



Consulte por favor el Manual de Usuario para instrucciones más detalladas con imágenes.

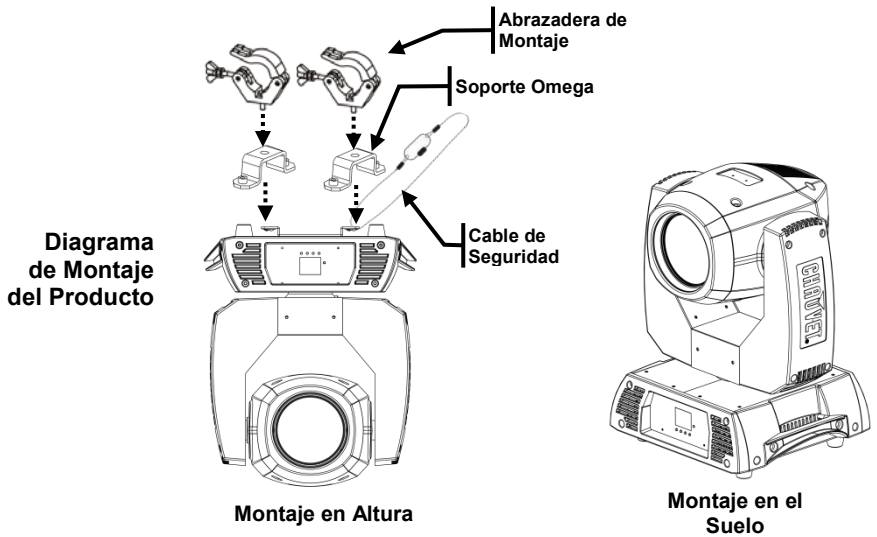
**Tornillos de
estrella
de $\frac{1}{4}$ de vuelta**



Enlace DMX El Rogue™ R1 Beam funcionará con un controlador DMX usando una conexión de datos DMX de 3 o 5 pines. Hay un Manual DMX disponible en www.chauvetprofessional.com

Conexión DMX El Rogue™ R1 Beam usa una conexión de datos DMX de 3 o 5 pines para sus personalidades DMX: **15CH** y **19CH**. Consulte el Manual de Usuario para más información sobre cómo conectar y configurar el producto para el funcionamiento DMX.

Montaje Antes de montar este producto, lea las [Notas de Seguridad](#). Utilice al menos dos puntos de montaje por producto. Asegúrese de que las abrazaderas de montaje son capaces de soportar el peso del producto. Para nuestra línea CHAUVET® de abrazaderas de montaje, visite trusst.com/productcategory/base-plates-accessories-clamps/.



Descripción del Panel de Control

Botón	Función
<MENU>	Salte del menú o función actual
<ENTER>	Habilita el menú actualmente en pantalla o configura el valor seleccionado actualmente dentro de la función seleccionada
<UP>	Navega hacia arriba por la lista de menú o aumenta el valor numérico cuando está en una función
<DOWN>	Navega hacia abajo por la lista de menú o disminuye el valor numérico cuando está en una función

Mapa de Menú

Nivel Principal	Niveles de Programación		Descripción	
Address	001–512		Configura la dirección inicial DMX	
Run Mode	DMX	15CH	Selecciona la personalidad DMX	
		19CH		
		Auto Test		Inicia la secuencia de prueba del dispositivo
	Manual Test	Pan	000–255	Permite control manual de toda la configuración desde el panel de control
		Pan Fine		
		Tilt		
		Tilt Fine		
		P/T Speed		
		Dimmer		
		Dimmer Fine		
		Shutter		
		Color		
		Gobo		
		Prism1		
		R–Prism1		
Prism2				
R–Prism Fine				
Focus				
P/T Macro				
P/T Ma.Speed				
Special Function				

Mapa de Menú (cont.)

Nivel Principal	Niveles de Programación		Descripción	
Setup	Pan Reverse	YES	Invierte el funcionamiento del desplazamiento lateral	
		NO	Funcionamiento de desplazamiento lateral normal	
	Tilt Reverse	YES	Invierte el funcionamiento de la inclinación	
		NO	Funcionamiento inclinación normal	
	Screen Reverse	YES	Gira la pantalla de control 180°	
		NO	Vista normal de la pantalla de control	
	Pan Angle	540	Selecciona el rango de desplazamiento lateral de 540°	
		360	Selecciona el rango de desplazamiento lateral de 360°	
		180	Selecciona el rango de desplazamiento lateral de 180°	
	Tilt Angle	270	Selecciona el rango de inclinación de 270°	
		180	Selecciona el rango de inclinación de 180°	
		90	Selecciona el rango de inclinación de 90°	
	BL.O.P/T Move	YES	Define el retardo de move-in-black para el desplazamiento lateral/inclinación	
		NO		
	BL.O.ColorMove	YES	Define el retardo de move-in-black para el cambio de color	
		NO		
	BL.O.GoboMove	YES	Define el retardo de move-in-black para el cambio de gobo	
		NO		
	Lamp Settings	On/Off	ON	Apaga/Enciende la lámpara
			OFF	
State/Power on		ON	Define el estado de la lámpara cuando se da alimentación al producto	
		OFF		
Off Via Dmx		YES	Apaga la unidad a través del controlador DMX	
		NO		
On If Dmx On		YES	Enciende la lámpara cuando detecta la señal DMX	
		NO		
Off If Dmx Off	YES	Apaga la lámpara cuando pierde la señal DMX		
	NO			

Mapa de Menú (cont.)

Nivel Principal	Niveles de Programación		Descripción	
Setup (cont.)	Lamp Settings (cont.)	Ignition Delay	000–255	Selecciona la duración del retardo entre el encendido del producto y el encendido de la lámpara
		Low Power Delay	000–255	Selecciona la duración del retardo cuando el obturador se cierra y la lámpara entra en estado de bajo consumo
		Reset Lamp Time	YES	Reinicia la cuenta de tiempo de la lámpara a 0
	NO		Deja sin cambiar el tiempo de la lámpara	
	Maintenance Timer	Interval	10–250	Define la cantidad de horas entre operaciones de mantenimiento
		Remaining Time	NO	Muestra en pantalla el tiempo restante del ciclo de mantenimiento
			RESET	Reinicia el tiempo al principio
	Reset Function	Pan/Tilt	YES	Reinicia las funciones de desplazamiento lateral/inclinación a la posición de inicio
			NO	
		Prism	YES	Reinicia las funciones de prisma a la posición de inicio
			NO	
		Color	YES	Reinicia todas las funciones de color a la posición de inicio
			NO	
		Gobo	YES	Reinicia todas las funciones de gobo a la posición de inicio
			NO	
		Shutter/Focus	YES	Reinicia las funciones de obturador y foco a la posición de inicio
			NO	
		All	YES	Reinicia todas las funciones a la posición de inicio
			NO	
	Factory Settings	YES		Devuelve el producto a su configuración de fábrica original
NO				
Sys Info	Ver:		Muestra en pantalla la versión de software	
	Running Mode:		Muestra el modo de ejecución actual	
	Dmx Address:		Muestra la dirección DMX actual	
	Temperature:		Muestra la temperatura del producto en Celsius	
	Lamp On Time:		Muestra la cantidad de tiempo que ha estado encendida la lámpara (siempre que el contador se haya reiniciado tras la instalación de una lámpara nueva)	
	Remain Time:		Muestra en pantalla el tiempo restante del ciclo de mantenimiento	

Valores DMX

19CH	Canal	Función	Valor	Porcentaje/Configuración
	1	Desplazamiento Lateral	000 ó 255	0–100%
	2	Desplazamiento Lateral Fino	000 ó 255	0–100%
	3	Inclinación	000 ó 255	0–100%
	4	Inclinación Fina	000 ó 255	0–100%
	5	Velocidad Desplazamiento Lateral/Inclinación	000 ó 255	0–100%
	6	Atenuador	000 ó 255	0–100%
	7	Atenuador Fino	000 ó 255	0–100%
	8	Obturador (Shutter)	000 ó 007 Cerrado 008 ó 015 Abierto 016 ó 131 Lento a rápido 132 ó 167 Cerrar rápido, abrir lento (lento a rápido) 168 ó 203 Cerrar lento, abrir rápido (lento a rápido) 204 ó 239 Efecto pulso de lento a rápido 240 ó 247 Efecto aleatorio de lento a rápido 248 ó 255 Abierto	
	9	Rueda de Color	000 ó 004 Abierto 005 ó 008 Rojo 009 ó 012 Amarillo intenso 013 ó 016 Turquesa 017 ó 020 Verde 021 ó 024 Verde claro 025 ó 028 Morado claro 029 ó 032 Rosa 033 ó 036 Amarillo claro 037 ó 040 Magenta 041 ó 044 Azul 045 ó 048 CTO 3200 K 049 ó 052 CTO 5600 K 053 ó 056 CTO 6500 K 057 ó 060 UV 061 ó 127 Colores divididos 128 ó 189 Desplazamiento de color dextrógiro, rápido a lento 190 ó 193 Parada 194 ó 255 Desplazamiento de color levógiro, lento a rápido	

Valores DMX (cont.)

19CH (cont.)	Canal	Función	Valor	Porcentaje/Configuración
	10	Rueda de Gobo	000 ó 003	Abierto
			004 ó 006	Gobo 1
			007 ó 009	Gobo 2
			010 ó 012	Gobo 3
			013 ó 015	Gobo 4
			016 ó 018	Gobo 5
			019 ó 021	Gobo 6
			022 ó 024	Gobo 7
			025 ó 027	Gobo 8
			028 ó 030	Gobo 9
			031 ó 033	Gobo 10
			034 ó 036	Gobo 11
			037 ó 039	Gobo 12
			040 ó 042	Gobo 13
			043 ó 045	Gobo 14
			046 ó 048	Gobo 15
			049 ó 051	Gobo 16
	052 ó 055	Gobo 17		
	056 ó 059	Abierto		
	060 ó 127	Vibración de gobo, 1–17, lento a rápido		
	128 ó 189	Desplazamiento de gobo dextrógiro, rápido a lento		
	190 ó 193	Parada		
	194 ó 255	Desplazamiento de gobo levógiro, lento a rápido		
	11	Prisma 1	000 ó 004	Sin función
			005 ó 255	Insertar prisma
	12	Girar Prisma 1	000 ó 127	Indexado prisma
			128 ó 189	Giro levógiro, rápido a lento
			190 ó 193	Parada
			194 ó 255	Giro dextrógiro, lento a rápido
	13	Prisma 2	000 ó 004	Sin función
			005 ó 255	Insertar prisma
	14	Girar Prisma 2	000 ó 127	Indexado prisma
			128 ó 189	Giro levógiro, rápido a lento
			190 ó 193	Parada
			194 ó 255	Giro dextrógiro, lento a rápido
	15	Girar Prisma Fino	000 ó 255	0–100%
	16	Foco	000 ó 255	0–100%

Valores DMX (cont.)

19CH (cont.)	Canal	Función	Valor	Porcentaje/Configuración
17		Macros de Movimiento	000 ó 007	Sin función
			008 ó 015	Efecto 1
			016 ó 023	Efecto 2
			024 ó 031	Efecto 3
			032 ó 039	Efecto 4
			040 ó 047	Efecto 5
			048 ó 055	Efecto 6
			056 ó 063	Efecto 7
			064 ó 071	Efecto 8
			072 ó 079	Efecto 9
			080 ó 087	Efecto 10
			088 ó 095	Efecto 11
			096 ó 103	Efecto 12
			104 ó 111	Efecto 13
			112 ó 119	Efecto 14
			120 ó 127	Efecto 15
			128 ó 135	Efecto 16
			136 ó 143	Efecto 17
			144 ó 151	Efecto 18
			152 ó 159	Efecto 19
			160 ó 167	Efecto 20
			168 ó 175	Efecto 21
			176 ó 183	Efecto 22
			184 ó 191	Efecto 23
			192 ó 199	Efecto 24
			200 ó 207	Efecto 25
			208 ó 215	Efecto 26
			216 ó 223	Efecto 27
			224 ó 231	Efecto 28
			232 ó 239	Efecto 29
			240 ó 247	Efecto 30
248 ó 255	Efecto 31			
18		Velocidad de Macro de Movimiento	000 ó 255	0–100%
19		Control	000 ó 029	Sin función
			030 ó 039	Modo atenuador convencional
			040 ó 049	Modo atenuador lineal
			050 ó 059	Modo rápido desplazamiento lateral/inclinación
			060 ó 069	Modo normal desplazamiento lateral/inclinación
			070 ó 079	Blackout durante desplazamiento lateral/inclinación (mantener 3 s)
			080 ó 089	Deshabilitar blackout de desplazamiento lateral/inclinación (mantener 3 s)
			090 ó 099	Blackout mientras se mueve la rueda de color (mantener 3 s)
			100 ó 109	Deshabilitar blackout de rueda de color (mantener 3 s)
			110 ó 119	Blackout mientras se mueve la rueda de gobo (mantener 3 s)
			120 ó 129	Deshabilitar blackout de rueda de gobo (mantener 3 s)

Valores DMX (cont.)

19CH (cont.)	Canal	Función	Valor	Porcentaje/Configuración
	19	Control	130 ó 139	Lámpara encendida
			140 ó 149	Reiniciar desplazamiento lateral/inclinación
			150 ó 159	Reiniciar rueda de color
			160 ó 169	Reiniciar rueda de gobo
			170 ó 179	Sin función
			180 ó 189	Reiniciar obturador/foco
			190 ó 199	Reiniciar todo
			200 ó 219	Blackout de todas las funciones durante desplazamiento lateral/inclinación
			220 ó 229	Deshabilitar blackout de todas las funciones durante desplazamiento lateral/inclinación
			230 ó 239	Lámpara apagada
			240 ó 247	Velocidad progresiva de desplazamiento lateral/inclinación, aumento encendido
	248 ó 255	Velocidad progresiva de desplazamiento lateral/inclinación, aumento apagado		

15CH	Canal	Función	Valor	Porcentaje/Configuración
	1	Desplazamiento Lateral	000 ó 255	0–100%
	2	Desplazamiento Lateral Fino	000 ó 255	0–100%
	3	Inclinación	000 ó 255	0–100%
	4	Inclinación Fina	000 ó 255	0–100%
	5	Velocidad Desplazamiento Lateral/Inclinación	000 ó 255	0–100%
	6	Atenuador	000 ó 255	0–100%
	7	Obturador (Shutter)	000 ó 007	Cerrado
			008 ó 015	Abierto
			016 ó 131	Lento a rápido
			132 ó 167	Cerrar rápido, abrir lento (lento a rápido)
			168 ó 203	Cerrar lento, abrir rápido (lento a rápido)
			204 ó 239	Efecto pulso de lento a rápido
			240 ó 247	Efecto aleatorio de lento a rápido
	248 ó 255	Abierto		

Valores DMX (cont.)

15CH (cont.)	Canal	Función	Valor	Porcentaje/Configuración
8	Rueda de Color	000 ó 004	Abierto	
		005 ó 008	Rojo	
		009 ó 012	Amarillo intenso	
		013 ó 016	Turquesa	
		017 ó 020	Verde	
		021 ó 024	Verde claro	
		025 ó 028	Morado claro	
		029 ó 032	Rosa	
		033 ó 036	Amarillo claro	
		037 ó 040	Magenta	
		041 ó 044	Azul	
		045 ó 048	CTO 3200 K	
		049 ó 052	CTO 5600 K	
		053 ó 056	CTO 6500 K	
		057 ó 060	UV	
		061 ó 127	Colores divididos	
		128 ó 189	Desplazamiento de color dextrógiro, rápido a lento	
		190 ó 193	Parada	
		194 ó 255	Desplazamiento de color levógiro, lento a rápido	
9	Rueda de Gobo	000 ó 003	Abierto	
		004 ó 006	Gobo 1	
		007 ó 009	Gobo 2	
		010 ó 012	Gobo 3	
		013 ó 015	Gobo 4	
		016 ó 018	Gobo 5	
		019 ó 021	Gobo 6	
		022 ó 024	Gobo 7	
		025 ó 027	Gobo 8	
		028 ó 030	Gobo 9	
		031 ó 033	Gobo 10	
		034 ó 036	Gobo 11	
		037 ó 039	Gobo 12	
		040 ó 042	Gobo 13	
		043 ó 045	Gobo 14	
		046 ó 048	Gobo 15	
		049 ó 051	Gobo 16	
		052 ó 055	Gobo 17	
		056 ó 059	Abierto	
		060 ó 127	Vibración de gobo, 1–17, lento a rápido	
128 ó 189	Desplazamiento de gobo dextrógiro, rápido a lento			
190 ó 193	Parada			
194 ó 255	Desplazamiento de gobo levógiro, lento a rápido			

Valores DMX (cont.)

15CH (cont.)	Canal	Función	Valor	Porcentaje/Configuración
	10	Prisma 1	000 ó 004 005 ó 255	Sin función Insertar prisma
	11	Girar Prisma 1	000 ó 127 128 ó 189 190 ó 193 194 ó 255	Indexado prisma Giro levógiro, rápido a lento Parada Giro dextrógiro, lento a rápido
	12	Prisma 2	000 ó 004 005 ó 255	Sin función Insertar prisma
	13	Girar Prisma 2	000 ó 127 128 ó 189 190 ó 193 194 ó 255	Indexado prisma Giro levógiro, rápido a lento Parada Giro dextrógiro, lento a rápido
	14	Foco	000 ó 255	0–100%
	15	Control	000 ó 029 030 ó 039 040 ó 049 050 ó 059 060 ó 069 070 ó 079 080 ó 089 090 ó 099 100 ó 109 110 ó 119 120 ó 129 130 ó 139 140 ó 149 150 ó 159 160 ó 169 170 ó 179 180 ó 189 190 ó 199 200 ó 219 220 ó 229 230 ó 239 240 ó 247 248 ó 255	Sin función Modo atenuador convencional Modo atenuador lineal Modo rápido desplazamiento lateral/inclinación Modo normal desplazamiento lateral/inclinación Blackout durante desplazamiento lateral/inclinación (mantener 3 s) Deshabilitar blackout de desplazamiento lateral/inclinación (mantener 3 s) Blackout mientras se mueve la rueda de color (mantener 3 s) Deshabilitar blackout de rueda de color (mantener 3 s) Blackout mientras se mueve la rueda de gobo (mantener 3 s) Deshabilitar blackout de rueda de gobo (mantener 3 s) Lámpara encendida Reiniciar desplazamiento lateral/inclinación Reiniciar rueda de color Reiniciar rueda de gobo Sin función Reiniciar obturador/foco Reiniciar todo Blackout de todas las funciones durante desplazamiento lateral/inclinación Deshabilitar blackout de todas las funciones durante desplazamiento lateral/inclinación Lámpara apagada Velocidad progresiva de desplazamiento lateral/inclinación, aumento encendido Velocidad progresiva de desplazamiento lateral/inclinación, aumento apagado

À Propos de ce Manuel Le manuel de référence (MR) du Rogue™ R1 Beam reprend des informations de base sur ce produit notamment en matière de connexions, montage, options de menu et valeurs DMX. Téléchargez le Manuel d'Utilisation sur www.chauvetprofessional.com for pour de plus amples informations.

Clause de Non-Responsabilité Les informations et caractéristiques contenues dans ce manuel sont sujettes à changement sans préavis.

- Consignes de Sécurité**
- N'ouvrez PAS cet appareil. Il ne contient aucun composant susceptible d'être réparé par l'utilisateur.
 - Ne regardez PAS la source lumineuse lorsque le produit fonctionne.
 - Durant les périodes de non-utilisation, pour éviter tout usure inutile et pour prolonger la durée de vie, déconnectez-entièrement l'appareil en le débranchant de l'alimentation électrique ou en coupant le disjoncteur.
 - ATTENTION: Lorsque l'appareil est transféré d'un environnement à température extrême à un autre (par exemple d'un camion froid vers une salle de bal chaude et humide), de la condensation peut se former sur les composants électriques internes. Pour éviter de causer des dommages, laissez l'appareil s'acclimater entièrement au milieu environnant avant de le mettre sous tension.
 - ATTENTION : le boîtier de ce produit peut s'avérer brûlant lors du fonctionnement.
 - Montez toujours ce produit dans un endroit bien ventilé, à au moins 50 cm (20 pouces) des surfaces adjacentes.
 - Ne laissez AUCUNE source inflammable dans un rayon de 50 cm du produit lorsque celui-ci fonctionne.
 - Utilisez TOUJOURS un câble de sécurité lorsque vous montez ce produit en hauteur.
 - N'utilisez PAS cet appareil en extérieur ou tout autre endroit où de la poussière, une chaleur excessive, de l'eau ou de l'humidité pourrait en affecter le fonctionnement. (IP20)
 - N'utilisez PAS cet appareil si le boîtier, les lentilles ou les câbles vous semblent endommagés.
 - Ne connectez ce produit NI à un gradateur NI à un rhéostat.
 - Connectez UNIQUEMENT cet appareil à un circuit protégé et relié à la terre.
 - N'utilisez QUE les lyres de suspension ou les poignées pour transporter cet appareil. Ne transportez jamais cet appareil par sa lyre asservie.
 - En cas de sérieux problèmes de fonctionnement, arrêtez le système immédiatement.
 - La température ambiante maximale doit être de 113° F (45° C). Ne le faites pas fonctionner à des températures plus élevées.

Contact En dehors des États-Unis, du Royaume-Uni, de l'Irlande, du Mexique et du Benelux, contactez votre distributeur si vous avez besoin d'assistance ou de renvoyer votre produit. Aux États-Unis, au Royaume-Uni, en Irlande, au Mexique, et au Benelux consultez la rubrique [Contact Us](#) en fin de MR pour plus d'informations.

- Ce Qui est Compris**
- Un Rogue™ R1 Beam
 - Un cordon d'alimentation powerCON® de Neutrik®
 - 2 fixations Omega sans matériel de montage
 - Une fiche de garantie
 - Un manuel de référence

Alimentation CA Cet appareil est doté d'une alimentation universelle prenant en charge toute tension d'entrée comprise entre 100 et 240 VCA, 50/60 Hz.



Durant les périodes de non-utilisation, pour éviter tout usure inutile et pour prolonger la durée de vie, déconnectez-entièrement l'appareil en le débranchant de l'alimentation électrique ou en coupant le disjoncteur.

Prise CA

Connexion	Câble (États-Unis)	Câble (Europe)	Couleur de la vis
Conducteur CA	Noir	Marron	Jaune/Cuivré
Neutre CA	Blanc	Bleu	Argenté
Terre CA	Vert/Jaune	Vert/Jaune	Vert

Remplacement du Fusible

1. Débranchez l'appareil de l'alimentation.
2. À l'aide d'un tournevis à tête plate, dévissez le couvercle du porte-fusible du boîtier.
3. Retirez le fusil obsolète et remplacez-le par un fusible en bon état de même type et ampérage.
4. Revissez le couvercle du porte-fusible et rebranchez l'unité.

Raccordement DMX

Le Rogue™ R1 Beam fonctionnera conjointement avec un jeu d'orgues DMX doté d'une connexion de donnée DMX à 3 ou 5 broches. Une introduction au DMX est à votre disposition sur www.chauvetprofessional.com.

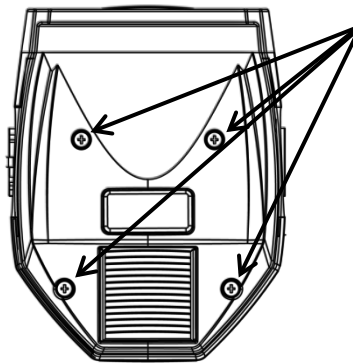
Connexion DMX

Le Rogue™ R1 Beam utilise une connexion de donnée DMX à 3 ou 5 broches pour ses personnalités DMX : **15CH** et **19CH**. Vous trouverez les instructions de connexion et configuration de cet appareil pour un bon fonctionnement en DMX dans le manuel d'utilisation.

- Remplacement de la Lampe**
1. Éteignez l'unité et déconnectez-la de la prise.
 2. Attendez au moins 15 minutes afin que l'unité refroidisse.
 3. Retirez les deux couvercles de la lyre en dévissant les vis Philipps n°8 d'un quart de tour.
 4. Positionnez l'arrière de l'unité de manière à ce que le ventilateur soit dirigé vers le haut.
 5. Retirez les 2 vis Philipps sur le côté du système de ventilation.
 6. Faites rouler le ventilateur le système de ventilation sur la droite pour mettre la lampe en évidence.
 7. En utilisant la base de la lampe, poussez cette dernière contre les clips à ressort situés sur la partie inférieure puis faites-la sortir par le haut.
 8. Retirez les deux fils connectés à la lampe par les connecteurs débrochables.
 9. Répétez les étapes susmentionnées pour installer une nouvelle lampe.

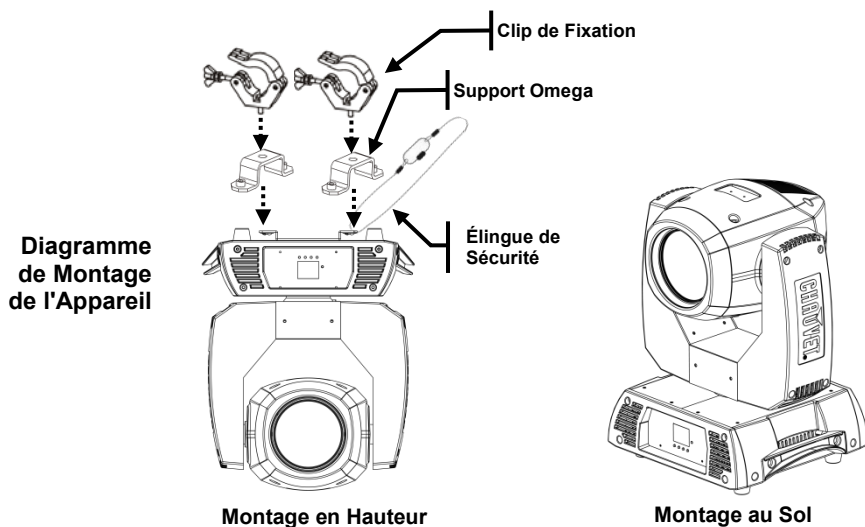


Veillez consulter le Manuel d'Utilisation pour de plus amples instructions accompagnées d'images.



Dévissez les vis Philipps d'un quart de tour.

Installation Avant de monter cet appareil, lisez et assimilez les [consignes de sécurité](#). Utilisez au moins deux points de montage pour cet appareil. Veillez à ce que les fixations sont capables de supporter le poids de l'unité. Découvrez notre gamme de fixations CHAUVET® sur trusst.com/productcategory/base-plates-accessories-clamps/.



Description du Tableau de Commandes

Bouton	Fonction
<MENU>	Permet la sortie du menu ou de la fonction en cours
<ENTER>	Permet l'affichage du menu en cours ou permet de configurer la valeur en cours dans la fonction sélectionnée
<UP>	Permet de parcourir les listes de menu vers le haut, dans une fonction permet d'augmenter les valeurs numériques.
<DOWN>	Permet de parcourir les listes de menu vers le bas, dans une fonction permet de diminuer les valeurs numériques.

Tableau de Menu

Niveau Principal	Niveaux de Programmation		Description	
Address	001-512		Configure l'adresse DMX de départ	
Run Mode	DMX	15CH	Sélectionne le mode DMX	
		19CH		
		Auto Test		Lance la séquence de test de l'appareil
	Manual Test	Pan	000-255	Permet de commander manuellement tous les paramètres du panneau de commande
		Pan Fine		
		Tilt		
		Tilt Fine		
		P/T Speed		
		Dimmer		
		Dimmer Fine		
		Shutter		
		Color		
		Gobo		
		Prism1		
		R-Prism1		
Prism2				
R-Prism Fine				
Focus				
P/T Macro				
P/T Ma.Speed				
Special Function				

Tableau de Menu (suite)

Niveau Principal	Niveaux de Programmation		Description	
Setup	Pan Reverse	YES	Fonctionnement inversé du pan	
		NO	Fonctionnement normal du pan	
	Tilt Reverse	YES	Fonctionnement inversé du tilt	
		NO	Fonctionnement normal du tilt	
	Screen Reverse	YES	Fait pivoter l'écran de commandes de 180°	
		NO	Vue normale de l'écran de commandes	
	Pan Angle	540	Sélectionne une plage d'angle de pan à 540°	
		360	Sélectionne une plage d'angle de pan à 360°	
		180	Sélectionne une plage d'angle de pan à 180°	
	Tilt Angle	270	Sélectionne une plage d'angle de tilt à 270°	
		180	Sélectionne une plage d'angle de tilt à 180°	
		90	Sélectionne une plage d'angle de tilt à 90°	
	BL.O.P/T Move	YES	Définit la temporisation de la mise en noir général du pan ou tilt	
		NO		
	BL.O.ColorMove	YES	Définit la temporisation de la mise en noir général du changement de couleur	
		NO		
	BL.O.GoboMove	YES	Définit la temporisation de la mise en noir général du changement de gobo	
		NO		
	Lamp Settings	On/Off	ON	Allume ou éteint l'unité
			OFF	
		State/Power on	ON	Définit le statut de la lampe lors de la mise sous tension de l'unité
OFF				
Off Via Dmx		YES	Éteint l'unité via le jeu d'orgues DMX	
		NO		
On If Dmx On		YES	La lampe s'allume quand le signal DMX est détecté	
		NO		
Off If Dmx Off		YES	La lampe s'éteint quand le signal DMX est perdu	
		NO		

Tableau de Menu (suite)

Niveau Principal	Niveaux de Programmation		Description	
Setup (suite)	Lamp Settings (suite)	Ignition Delay	000–255	Sélectionne la durée de la temporisation entre le moment où l'appareil s'allume et où la lampe s'allume
		Low Power Delay	000–255	Sélectionne la durée de la temporisation entre le moment où l'obturateur se ferme et la lampe se met en mode veille.
		Reset Lamp Time	YES	Réinitialise la minuterie de la lampe
	NO		Conserve la configuration de la minuterie de la lampe	
	Maintenance Timer	Interval	10–250	Définit le nombre d'heures entre deux maintenances
		Remaining Time	NO	Indique le temps restant lors du cycle de maintenance
			RESET	Réinitialise le temps
	Reset Function	Pan/Tilt	YES	Réinitialise les fonctions pan et tilt à leurs positions de départ
			NO	Réinitialise les fonctions pan et tilt à leurs positions de départ
		Prism	YES	Réinitialise toutes les fonctions de prisme à leurs positions de départ
			NO	Réinitialise toutes les fonctions de prisme à leurs positions de départ
		Color	YES	Réinitialise toutes les fonctions de couleurs à leurs positions de départ
			NO	Réinitialise toutes les fonctions de couleurs à leurs positions de départ
		Gobo	YES	Réinitialise toutes les fonctions de gobos à leurs positions de départ
			NO	Réinitialise toutes les fonctions de gobos à leurs positions de départ
	Shutter/Focus	YES	Réinitialise les fonctions obturateur et mise au point à leurs positions de départ	
		NO	Réinitialise les fonctions obturateur et mise au point à leurs positions de départ	
All	YES	Réinitialise toutes les fonctions à leurs positions de départ		
	NO	Réinitialise toutes les fonctions à leurs positions de départ		
Factory Settings	YES		Réinitialise l'unité à sa configuration d'usine	
	NO		Réinitialise l'unité à sa configuration d'usine	
Sys Info	Ver:		Affiche la version logicielle	
	Running Mode:		Affiche le mode actuel de fonctionnement	
	Dmx Address:		Affiche l'adresse DMX actuelle	
	Temperature:		Affiche la température de l'unité en Celsius	
	Lamp On Time:		Affiche le temps de fonctionne de la lampe depuis son installation (si le compteur a été remis à zéro quand la lampe a été changée)	
	Remain Time:		Indique le temps restant lors du cycle de maintenance	

Valeurs DMX

19CH	Canal	Fonction	Valeur	Pourcentage/Configuration
	1	Pan	000ó255	0–100%
	2	Pan Précis	000ó255	0–100%
	3	Tilt	000ó255	0–100%
	4	Tilt Précis	000ó255	0–100%
	5	Vitesse Pan/Tilt	000ó255	0–100%
	6	Gradateur	000ó255	0–100%
	7	Gradateur Fin	000ó255	0–100%
	8	Obturateur	000ó007 Fermé 008ó015 Ouvert 016ó131 Lent à rapide 132ó167 Fermeture rapide, ouverture lente (lent à rapide) 168ó203 Fermeture lente, ouverture rapide (lent à rapide) 204ó239 Effet de pulsation de lent à rapide 240ó247 Effet aléatoire de lent à rapide 248ó255 Ouvert	
	9	Roue de Couleurs	000ó004 Ouvert 005ó008 Rouge 009ó012 Jaune intense 013ó016 Turquoise 017ó020 Vert 021ó024 Vert clair 025ó028 Violet clair 029ó032 Rose 033ó036 Jaune clair 037ó040 Magenta 041ó044 Bleu 045ó048 CTO 3 200 K 049ó052 CTO 5 600 K 053ó056 CTO 6 500 K 057ó060 UV 061ó127 Demi couleurs 128ó189 Défilement dans le sens des aiguilles d'une montre, rapide à lent 190ó193 Arrêt 194ó255 Défilement dans le sens inverse des aiguilles d'une montre, lent à rapide	

Valeurs DMX (suite)

19CH (suite)	Canal	Fonction	Valeur	Pourcentage/Configuration
10	Roue de Gobo	000ó 003	Ouvert	
		004ó 006	Gobo 1	
		007ó 009	Gobo 2	
		010ó 012	Gobo 3	
		013ó 015	Gobo 4	
		016ó 018	Gobo 5	
		019ó 021	Gobo 6	
		022ó 024	Gobo 7	
		025ó 027	Gobo 8	
		028ó 030	Gobo 9	
		031ó 033	Gobo 10	
		034ó 036	Gobo 11	
		037ó 039	Gobo 12	
		040ó 042	Gobo 13	
		043ó 045	Gobo 14	
		046ó 048	Gobo 15	
		049ó 051	Gobo 16	
052ó 055	Gobo 17			
056ó 059	Ouvert			
060ó 127	Oscillation de gobos 1 à 17, lent à rapide			
128ó 189	Défilement de gobo dans le sens des aiguilles d'une montre, rapide à lent			
190ó 193	Arrêt			
194ó 255	Défilement de gobo dans le sens inverse des aiguilles d'une montre, lent à rapide			
11	Prisme 1	000ó 004	Pas de fonction	
		005ó 255	Insertion de prisme	
12	Rotation de Prisme 1	000ó 127	Indexation de prisme	
		128ó 189	Rotation dans le sens inverse des aiguilles d'une montre, rapide à lent	
		190ó 193	Arrêt	
		194ó 255	Rotation dans le sens des aiguilles d'une montre, lent à rapide	
13	Prisme 2	000ó 004	Pas de fonction	
		005ó 255	Insertion de prisme	
14	Rotation de Prisme 2	000ó 127	Indexation de prisme	
		128ó 189	Rotation dans le sens inverse des aiguilles d'une montre, rapide à lent	
		190ó 193	Arrêt	
		194ó 255	Rotation dans le sens des aiguilles d'une montre, lent à rapide	
15	Rotation Précise de Prisme	000ó 255	0–100%	
16	Effet Dépoli	000ó 255	0–100%	

Valeurs DMX (suite)

19CH (suite)	Canal	Fonction	Valeur	Pourcentage/Configuration
			000ó 007	Pas de fonction
			008ó 015	Effet 1
			016ó 023	Effet 2
			024ó 031	Effet 3
			032ó 039	Effet 4
			040ó 047	Effet 5
			048ó 055	Effet 6
			056ó 063	Effet 7
			064ó 071	Effet 8
			072ó 079	Effet 9
			080ó 087	Effet 10
			088ó 095	Effet 11
			096ó 103	Effet 12
			104ó 111	Effet 13
			112ó 119	Effet 14
			120ó 127	Effet 15
			128ó 135	Effet 16
			136ó 143	Effet 17
			144ó 151	Effet 18
			152ó 159	Effet 19
			160ó 167	Effet 20
			168ó 175	Effet 21
			176ó 183	Effet 22
			184ó 191	Effet 23
			192ó 199	Effet 24
			200ó 207	Effet 25
			208ó 215	Effet 26
			216ó 223	Effet 27
			224ó 231	Effet 28
			232ó 239	Effet 29
			240ó 247	Effet 30
			248ó 255	Effet 31
	17	Macros de Mouvements		

Valeurs DMX (suite)

19CH (suite)	Canal	Fonction	Valeur	Pourcentage/Configuration
	18	Vitesse Macros de Mouvements	000 0 255	0–100%
			000 0 029	Pas de fonction
			030 0 039	Mode conventionnel de gradation
			040 0 049	Mode linéaire de gradation
			050 0 059	Mode rapide pan/tilt
			060 0 069	Mode normal pan/tilt
			070 0 079	Noir général en pan/tilt (3 s pause)
			080 0 089	Désactivation du noir général en pan/tilt (3 s pause)
			090 0 099	Noir général quand roue de couleurs en mouvement (3 s pause)
			100 0 109	Désactivation du noir général de la roue de couleurs (3 s pause)
			110 0 119	Noir général quand gobo en mouvement (3 s pause)
			120 0 129	Désactivation du noir général du gobo (3 s pause)
	19	Commande	130 0 139	Lampe allumée
			140 0 149	Réinitialisation de pan/tilt
			150 0 159	Réinitialisation de la roue de couleurs
			160 0 169	Réinitialisation de la roue de gobo
			170 0 179	Pas de fonction
			180 0 189	Réinitialisation de la mise au point/de l'obturateur
			190 0 199	Tout réinitialiser
			200 0 219	Noir général de toutes les fonctions quand pan/tilt
			220 0 229	Désactivation du noir général de toutes les fonctions quand pan/tilt
			230 0 239	Lampe éteinte
			240 0 247	Vitesse des mouvement pan/tilt, accélération activée
			248 0 255	Vitesse des mouvement pan/tilt, accélération désactivée

Valeurs DMX (suite)

15CH	Canal	Fonction	Valeur	Pourcentage/Configuration
	1	Pan	000ó255	0–100%
	2	Pan Précis	000ó255	0–100%
	3	Tilt	000ó255	0–100%
	4	Tilt Précis	000ó255	0–100%
	5	Vitesse Pan/Tilt	000ó255	0–100%
	6	Gradateur	000ó255	0–100%
	7	Obturateur	000ó007 008ó015 016ó131 132ó167 168ó203 204ó239 240ó247 248ó255	Fermé Ouvert Lent à rapide Fermeture rapide, ouverture lente (lent à rapide) Fermeture lente, ouverture rapide (lent à rapide) Effet de pulsation de lent à rapide Effet aléatoire de lent à rapide Ouvert

Valeurs DMX (suite)

15CH (suite)	Canal	Fonction	Valeur	Pourcentage/Configuration
8	Roue de Couleurs	000 004	Ouvert	
		005 008	Rouge	
		009 012	Jaune intense	
		013 016	Turquoise	
		017 020	Vert	
		021 024	Vert clair	
		025 028	Violet clair	
		029 032	Rose	
		033 036	Jaune clair	
		037 040	Magenta	
		041 044	Bleu	
		045 048	CTO 3 200 K	
		049 052	CTO 5 600 K	
		053 056	CTO 6 500 K	
		057 060	UV	
		061 127	Demi couleurs	
128 189	Défilement dans le sens des aiguilles d'une montre, rapide à lent			
190 193	Arrêt			
194 255	Défilement dans le sens inverse des aiguilles d'une montre, lent à rapide			
9	Roue de Gobo	000 003	Ouvert	
		004 006	Gobo 1	
		007 009	Gobo 2	
		010 012	Gobo 3	
		013 015	Gobo 4	
		016 018	Gobo 5	
		019 021	Gobo 6	
		022 024	Gobo 7	
		025 027	Gobo 8	
		028 030	Gobo 9	
		031 033	Gobo 10	
		034 036	Gobo 11	
		037 039	Gobo 12	
		040 042	Gobo 13	
		043 045	Gobo 14	
		046 048	Gobo 15	
049 051	Gobo 16			
052 055	Gobo 17			
056 059	Ouvert			
060 127	Oscillation de gobos 1 à 17, rapide à lent			
128 189	Défilement de gobo dans le sens des aiguilles d'une montre, lent à rapide			
190 193	Arrêt			
194 255	Défilement de gobo dans le sens inverse des aiguilles d'une montre, lent à rapide			
10	Prisme 1	000 004	Pas de fonction	
		005 255	Insertion de prisme	

Valeurs DMX (suite)

15CH (suite)	Canal	Fonction	Valeur	Pourcentage/Configuration
11		Rotation de Prisme 1	000ó 127	Indexation de prisme
			128ó 189	Rotation dans le sens inverse des aiguilles d'une montre, rapide à lent
12		Prisme 2	190ó 193	Arrêt
			194ó 255	Rotation dans le sens des aiguilles d'une montre, lent à rapide
13		Rotation de Prisme 2	000ó 004	Pas de fonction
			005ó 255	Insertion de prisme
13		Rotation de Prisme 2	000ó 127	Indexation de prisme
			128ó 189	Rotation dans le sens inverse des aiguilles d'une montre, rapide à lent
14		Effet Dépoli	190ó 193	Arrêt
			194ó 255	Rotation dans le sens des aiguilles d'une montre, lent à rapide
15		Commande	000ó 255	0–100%
			000ó 029	Pas de fonction
			030ó 039	Mode conventionnel de gradation
			040ó 049	Mode linéaire de gradation
			050ó 059	Mode rapide pan/tilt
			060ó 069	Mode normal pan/tilt
			070ó 079	Noir général en pan/tilt (3 s pause)
			080ó 089	Désactivation du noir général en pan/tilt (3 s pause)
			090ó 099	Noir général quand roue de couleurs en mouvement (3 s pause)
			100ó 109	Désactivation du noir général de la roue de couleurs (3 s pause)
			110ó 119	Noir général quand gobo en mouvement (3 s pause)
			120ó 129	Désactivation du noir général du gobo (3 s pause)
			130ó 139	Lampe allumée
			140ó 149	Réinitialisation de pan/tilt
			150ó 159	Réinitialisation de la roue de couleurs
			160ó 169	Réinitialisation de la roue de gobo
			170ó 179	Pas de fonction
			180ó 189	Réinitialisation de la mise au point/de l'obturateur
			190ó 199	Tout réinitialiser
			200ó 219	Noir général de toutes les fonctions quand pan/tilt
220ó 229	Désactivation du noir général de toutes les fonctions quand pan/tilt			
230ó 239	Lampe éteinte			
240ó 247	Vitesse des mouvement pan/tilt, accélération activée			
248ó 255	Vitesse des mouvement pan/tilt, accélération désactivée			

Over deze handleiding De Rogue™ R1 Beam Beknopte Handleiding (BH) bevat basisinformatie over het product, zoals aansluiting, montage, menu-opties en DMX-waarden. Download de gebruikershandleiding op www.chauvetprofessional.com voor meer informatie.

Disclaimer De informatie en specificaties in deze BH kunnen zonder voorafgaande kennisgeving worden gewijzigd.

- Veiligheidsinstructies**
- Open het product NIET. Het bevat geen te onderhouden onderdelen.
 - KIJK NIET in de lichtbron wanneer het apparaat is ingeschakeld.
 - Om onnodige slijtage te elimineren en zijn levensduur te verlengen, gedurende perioden wanneer het product niet wordt gebruikt, moet u het product van de stroom afsluiten door een aardlekschakelaar om te zetten of door het te ontkoppelen.
 - LET OP: Bij het verplaatsen van het product uit extreme omgevingen, (bijv. koude vrachtwagen naar warme, vochtige balzaal) kan er condensvorming optreden op de elektronica van het product. Om storingen te vermijden moet het product volledig kunnen acclimatiseren aan de omgeving voordat het op stroom wordt aangesloten.
 - LET OP: De behuizing van dit product kan heet zijn wanneer het in bedrijf is.
 - Monteer dit product op een plek met voldoende ventilatie, ten minste 50 cm van de aangrenzende oppervlakken.
 - Plaats geen ontvlambaar materiaal binnen 50 cm van dit product als het in gebruik is of is aangesloten op het stopcontact.
 - GEBRUIK een veiligheidskabel bij het boven het hoofd plaatsen van dit product.
 - Gebruik dit product NIET buitenshuis of op een locatie waar stof, grote warmte, water of vochtigheid het kunnen beïnvloeden. (IP20)
 - Gebruik dit product NIET als de behuizing, lenzen of kabels beschadigd lijken.
 - Sluit dit product NIET aan op een dimmer of een regelweerstand.
 - Sluit dit product UITSLUITEND op een geaard en beveiligd stroomcircuit.
 - Gebruik UITSLUITEND de montagebeugels of de hendels om dit product te dragen. Draag het product niet aan de bewegende kop.
 - Stop in het geval van ernstige operationele problemen onmiddellijk met het gebruik.
 - De maximale omgevingstemperatuur bedraagt 45 °C. Gebruik dit product niet bij hogere temperaturen.

Contact Van buiten de VS, Verenigd Koninkrijk, Ierland, Mexico of Benelux kunt u contact opnemen met de distributeur of om ondersteuning vragen dan wel het product retourneren. Ga naar www.chauvetprofessional.com voor contactinformatie.

Wat is inbegrepen

- Rogue™ R1 Beam
- Neutrik® powerCON® stroomsnoer
- 2 Omega-beugels met bevestigingsapparatuur
- Garantiekaart
- Beknopte handleiding

AC-stroom Dit product heeft een voeding met automatisch bereik die werkt met een ingangsspanning van 100–240 VAC, 50/60 Hz.



Om onnodige slijtage te elimineren en zijn levensduur te verlengen, gedurende perioden wanneer het product niet wordt gebruikt, moet u het product van de stroom afsluiten door een aardlekschakelaar om te zetten of door het te ontkoppelen.

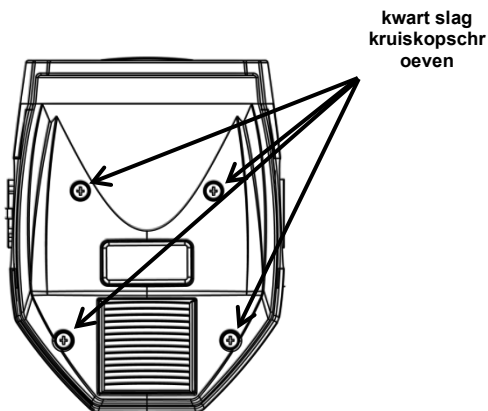
AC-stekker	Aansluiting	Snoer (VS)	Snoer (Europa)	Schroefkleur
	AC Live	Zwart	Bruin	Geel/messing
	AC Neutraal	Wit	Blauw	Zilver
	AC Ground	Green/Yellow	Green/Yellow	Green

- De zekering vervangen**
1. Ontkoppel dit product van de stroom.
 2. Gebruik een platkopschroevendraaier en schroef de kap van de zekeringhouder los van de behuizing.
 3. Verwijder de doorgebrande zekering en vervang het met een werkende zekering van hetzelfde type en met dezelfde waarde.
 4. Schroef de kap van de zekeringhouder terug en steek de stekker er weer in.

- Lampvervangning**
1. Schakel de armatuur uit en ontkoppel het van de stroom.
 2. Wacht ten minste 15 minuten om de lamp af te laten koelen.
 3. Verwijden beide kappen door 8 kruiskopschroeven te verwijderen.
 4. Plaats de achterzijde van het product zo dat de ventilator bovenwaarts is gericht.
 5. Verwijder de 2 kruiskopschroeven op de zijden van de ventilator.
 6. Rol de ventilator naar rechts om de lamp vrij te maken.
 7. Duw de lamp met het lamponderstek tegen de veerklemmen op de onderzijde en rol de lamp daarna uit de bovenzijde.
 8. Schroef de 2 draden los die aan de lamp zijn gekoppeld bij de aansluitklemmen.
 9. Voer de stappen in omgekeerde volgorde uit om de nieuwe lamp te installeren.



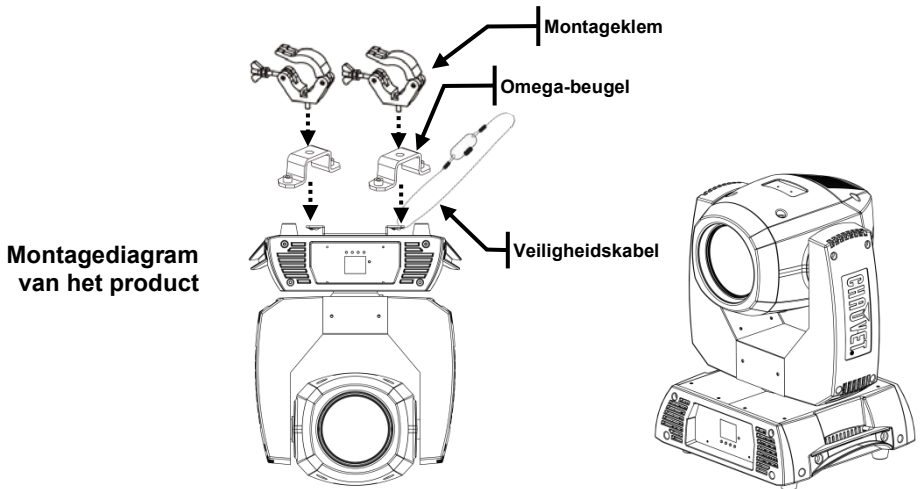
Raadpleeg de gebruikershandleiding voor meer uitgebreide instructies met afbeeldingen.



DMX-koppeling De Rogue™ R1 Beam kan met een DMX-controller werken met een 3-pins of 5-pins DMX-gegevensverbinding. Op www.chauvetprofessional.com is een DMX-basishandleiding verkrijgbaar.

DMX-aansluiting De Rogue™ R1 Beam gebruikt een 3- of 5-pins normale DMX-gegevensverbinding voor zijn DMX-persoonlijkheden: **15CH** en **19CH**. Zie de gebruikershandleiding voor meer informatie over het verbinden en configureren van het product voor DMX-werking.

Montage Lees alvorens dit product te monteren alle [Veiligheidsvoorschriften](#). Gebruik ten minste twee montagepunten per product. Controleer of de montageklem het gewicht van het product kan dragen. Ga voor onze CHAUVET®-serie montageklemmen naar www.trusst.com/productcategory/accessories-clamps/.



Montage boven het hoofd

Plaatsing op de vloer

Beschrijving bedieningspaneel

Toets	Functie
<MENU>	Sluit het huidige menu of functie af
<ENTER>	Activeert het huidige getoonde menu of plaatst de huidige geselecteerde waarde in de geselecteerde functie
<UP>	Navigeert omhoog via het menu of verhoogt de numerieke waarde wanneer in een functie
<DOWN>	Navigeert omlaag via het menu of verlaagt de numerieke waarde wanneer in een functie

Menu map

Hoofdniveau	Programmeerniveaus		Beschrijving	
Address	001–512		Stelt het DMX-startadres in	
Run Mode	DMX	15CH	Selecteert de DMX-modus	
		19CH		
	Auto Test		Voert de testprocedure van het product uit	
	Manual Test	Pan	000–255	Maakt handmatige bediening mogelijk van alle instellingen van het bedieningspaneel
		Pan Fine		
		Tilt		
		Tilt Fine		
		P/T Speed		
		Dimmer		
		Dimmer Fine		
		Shutter		
		Color		
		Gobo		
		Prism1		
		R-Prism1		
		Prism2		
R-Prism Fine				
Focus				
P/T Macro				
P/T Ma.Speed				
Special Function				

Menu-map (vervolg)

Hoofdniveau	Programmeerniveaus		Beschrijving	
Setup	Pan Reverse	YES	Omgekeerde zwenkbediening	
		NO	Normale zwenkbediening	
	Tilt Reverse	YES	Omgekeerde kantelbediening	
		NO	Normale kantelbediening	
	Screen Reverse	YES	Roteert de weergave van het bedieningsscherm met 180°	
		NO	Normale weergave van het bedieningsscherm	
	Pan Angle	540	Selecteert het 540° zwenkhoekbereik	
		360	Selecteert het 360° zwenkhoekbereik	
		180	Selecteert het 180° zwenkhoekbereik	
	Tilt Angle	270	Selecteert het 270° kantelhoekbereik	
		180	Selecteert het 180° kantelhoekbereik	
		90	Selecteert het 90° kantelhoekbereik	
	BL.O.P/T Move	YES	Definieert de zwenking/kanteling van de move-in-black vertraging	
		NO		
	BL.O.ColorMove	YES	Definieert de kleurverandering van de move-in-black vertraging	
		NO		
	BL.O.GoboMove	YES	Definieert de goboverandering van de move-in-black vertraging	
		NO		
	Lamp Settings	On/Off	ON	Schakelt de lamp aan/uit
			OFF	
		State/Power on	ON	Definieert de lampstatus bij het inschakelen van het product
OFF				
Off Via Dmx		YES	Schakelt het apparaat uit via de DMX-controller	
		NO		
On If Dmx On		YES	Schakelt de lamp aan wanneer het DMX-sigitaal is gedetecteerd	
		NO		
Off If Dmx Off		YES	Schakelt de lamp uit wanneer het DMX-sigitaal is verbroken	
		NO		
Ignition Delay		000–255	Kiest de vertragingstijd tussen inschakeling van het product en inschakeling van de lamp	
Low Power Delay		000–255	Kiest de vertragingstijd wanneer de sluiting is gesloten en de lamp naar een toestand van laag vermogen gaat	
Reset Lamp Time	YES	Reset de lampstijl naar 0		
	NO	Laat de lampstijl ongewijzigd		

Menukaart (vervolg)

Hoofdniveau	Programmeerniveaus		Beschrijving	
Setup (vervolg)	Maintenance Timer	Interval	10–250	Definieert aantal uren tussen onderhoud
		Remaining Time	NO	Toont hoeveelheid tijd die nog overblijft in de onderhoudscyclus
			RESET	Reset de tijd naar het begin
	Reset Function	Pan/Tilt	YES	Reset de zwenk-/kantelfuncties naar de startpositie
			NO	
		Prism	YES	Reset alle prismafuncties naar de startpositie
			NO	
		Color	YES	Reset alle kleurfuncties naar de startpositie
			NO	
		Gobo	YES	Reset alle gobofuncties naar de startpositie
			NO	
		Shutter/ Focus	YES	Reset de sluit- en de focusfuncties naar de startpositie
			NO	
		All	YES	Reset alle functies naar de startpositie
			NO	
Factory Settings	YES		Zet het product terug naar de oorspronkelijke fabrieksinstellingen	
	NO			
Sys Info	Ver:		Toont de softwareversie	
	Running Mode:		Toont de huidige bedrijfsmodus	
	Dmx Address:		Toont het huidige DMX-adres	
	Temperature:		Toont de producttemperatuur in graden Celsius	
	Lamp On Time:		Toont hoe lang de lamp al aan is (onder de voorwaarde dat de teller is gereset na installatie van de nieuwe lamp)	
	Remain Time:		Toont hoeveelheid tijd die nog overblijft in de onderhoudscyclus	

DMX-waarden

19CH	Kanaal	Functie	Waarde	Percentage/instelling
	1	Zwenken	000ó 255	0–100%
	2	Fijn zwenken	000ó 255	0–100%
	3	Kantelen	000ó 255	0–100%
	4	Fijn kantelen	000ó 255	0–100%
	5	Zwenk- /kantelsnelheid	000ó 255	0–100%
	6	Dimmer	000ó 255	0–100%
	7	Fijne dimmer	000ó 255	0–100%
	8	Sluiter	000ó 007 008ó 015 016ó 131 132ó 167 168ó 203 204ó 239 240ó 247 248ó 255	Gesloten Open Langzaam tot snel Snel sluiten, langzaam open (langzaam tot snel) Langzaam sluiten, snel open (langzaam tot snel) Pulseffect van langzaam tot snel Willekeurig effect van langzaam tot snel Open
	9	Kleurenwiel	000ó 004 005ó 008 009ó 012 013ó 016 017ó 020 021ó 024 025ó 028 029ó 032 033ó 036 037ó 040 041ó 044 045ó 048 049ó 052 053ó 056 057ó 060 061ó 127 128ó 189 190ó 193 194ó 255	Open Rood Diep geel Turquoise Groen Lichtgroen Lichtpaars Roze Lichtgeel Magenta Blauw CTO 3200 K CTO 5600 K CTO 6500 K UV Gespleten kleuren Kleurwijziging met de klok mee, snel tot langzaam Stop Kleurwijziging tegen de klok in, langzaam tot snel

DMX-waarden (vervolg)

19CH (vervolg)	Kanaal	Functie	Waarde	Percentage/instelling
10	Gobo-wiel	000ó 003	Open	
		004ó 006	Gobo 1	
		007ó 009	Gobo 2	
		010ó 012	Gobo 3	
		013ó 015	Gobo 4	
		016ó 018	Gobo 5	
		019ó 021	Gobo 6	
		022ó 024	Gobo 7	
		025ó 027	Gobo 8	
		028ó 030	Gobo 9	
		031ó 033	Gobo 10	
		034ó 036	Gobo 11	
		037ó 039	Gobo 12	
		040ó 042	Gobo 13	
		043ó 045	Gobo 14	
		046ó 048	Gobo 15	
		049ó 051	Gobo 16	
052ó 055	Gobo 17			
056ó 059	Open			
060ó 127	Gobo schudden 1-17, langzaam tot snel			
128ó 189	Gobowijziging met de klok mee, snel tot langzaam			
190ó 193	Stop			
194ó 255	Gobowijziging tegen de klok in, langzaam tot snel			
11	Prisma 1	000ó 004	Geen functie	
		005ó 255	Inzetstuk van het prisma	
12	Prisma 1 roteren	000ó 127	Prisma-index	
		128ó 189	Rotatie tegen de klok in, langzaam tot snel	
		190ó 193	Stop	
		194ó 255	Rotatie met de klok mee, langzaam tot snel	
13	Prisma 2	000ó 004	Geen functie	
		005ó 255	Inzetstuk van het prisma	
14	Prisma 2 roteren	000ó 127	Prisma-index	
		128ó 189	Rotatie tegen de klok in, langzaam tot snel	
		190ó 193	Stop	
		194ó 255	Rotatie met de klok mee, langzaam tot snel	
15	Fijne prisma roteren	000ó 255	0–100%	
16	Focus	000ó 255	0–100%	

DMX-waarden (vervolg)

19CH (vervolg)	Kanaal	Functie	Waarde	Percentage/instelling
17		Bewegingsmacro's	000ó 007	Geen functie
			008ó 015	Effect 1
			016ó 023	Effect 2
			024ó 031	Effect 3
			032ó 039	Effect 4
			040ó 047	Effect 5
			048ó 055	Effect 6
			056ó 063	Effect 7
			064ó 071	Effect 8
			072ó 079	Effect 9
			080ó 087	Effect 10
			088ó 095	Effect 11
			096ó 103	Effect 12
			104ó 111	Effect 13
			112ó 119	Effect 14
			120ó 127	Effect 15
			128ó 135	Effect 16
			136ó 143	Effect 17
			144ó 151	Effect 18
			152ó 159	Effect 19
			160ó 167	Effect 20
			168ó 175	Effect 21
			176ó 183	Effect 22
			184ó 191	Effect 23
			192ó 199	Effect 24
			200ó 207	Effect 25
			208ó 215	Effect 26
			216ó 223	Effect 27
			224ó 231	Effect 28
			232ó 239	Effect 29
			240ó 247	Effect 30
248ó 255	Effect 31			
18		Beweging macrosnelheid	000ó 255	0–100%

DMX-waarden (vervolg)

19CH (vervolg)	Kanaal	Functie	Waarde	Percentage/instelling
19	Regeling		000 ∘ 029	Geen functie
			030 ∘ 039	Conventionele modus van de dimmer
			040 ∘ 049	Lineaire modus van de dimmer
			050 ∘ 059	Zwenken/kantelen snelle modus
			060 ∘ 069	Zwenken/kantelen normale modus
			070 ∘ 079	Verduistering tijdens zwenken/kantelen (3 sec vasthouden)
			080 ∘ 089	Uitschakelen zwenk-/kantelverduistering (3 sec vasthouden)
			090 ∘ 099	Verduistering van kleurwielbeweging (3 sec vasthouden)
			100 ∘ 109	Uitschakelen kleurwielverduistering (3 sec vasthouden)
			110 ∘ 119	Verduistering van beweging van gobowielen (3 sec vasthouden)
			120 ∘ 129	Uitschakelen gobowielverduistering (3 sec vasthouden)
			130 ∘ 139	Lamp aan Resetten zwenken/kantelen
			140 ∘ 149	Kleurwiel reset
			150 ∘ 159	Gobowiel reset
			160 ∘ 169	Geen functie
			170 ∘ 179	Sluiter-/focusreset
			180 ∘ 189	Reset alle
			190 ∘ 199	Alle functies verduisteren tijdens zwenken/kantelen
			200 ∘ 219	Alle functies verduisteren uitschakelen tijdens zwenken/kantelen
			230 ∘ 239	Lamp uit
			240 ∘ 247	Aanloopsnelheid zwenk-/kantelbeweging, verhogen aan
			248 ∘ 255	Aanloopsnelheid zwenk-/kantelbeweging, verhogen uit

15CH	Kanaal	Functie	Waarde	Percentage/instelling
	1	Zwenken	000 ∘ 255	0–100%
	2	Fijn zwenken	000 ∘ 255	0–100%
	3	Kantelen	000 ∘ 255	0–100%
	4	Fijn kantelen	000 ∘ 255	0–100%
	5	Zwenk- /kantelsnelheid	000 ∘ 255	0–100%
	6	Dimmer	000 ∘ 255	0–100%
	7	Sluiter	000 ∘ 007	Gesloten
			008 ∘ 015	Open
			016 ∘ 131	Langzaam tot snel
			132 ∘ 167	Snel sluiten, langzaam open (langzaam tot snel)
			168 ∘ 203	Langzaam sluiten, snel open (langzaam tot snel)
			204 ∘ 239	Pulseffect van langzaam tot snel
			240 ∘ 247	Willekeurig effect van langzaam tot snel
	248 ∘ 255	Open		

DMX-waarden (vervolg)

15CH (vervolg)	Kanaal	Functie	Waarde	Percentage/instelling
8	Kleurenwiel	000ó 004	Open	
		005ó 008	Rood	
		009ó 012	Diep geel	
		013ó 016	Turquoise	
		017ó 020	Groen	
		021ó 024	Lichtgroen	
		025ó 028	Lichtpaars	
		029ó 032	Roze	
		033ó 036	Lichtgeel	
		037ó 040	Magenta	
		041ó 044	Blauw	
		045ó 048	CTO 3200 K	
		049ó 052	CTO 5600 K	
		053ó 056	CTO 6500 K	
		057ó 060	UV	
		061ó 127	Gespleten kleuren	
128ó 189	Kleurwijziging met de klok mee, snel tot langzaam			
190ó 193	Stop			
194ó 255	Kleurwijziging tegen de klok in, langzaam tot snel			
9	Gobo-wiel	000ó 003	Open	
		004ó 006	Gobo 1	
		007ó 009	Gobo 2	
		010ó 012	Gobo 3	
		013ó 015	Gobo 4	
		016ó 018	Gobo 5	
		019ó 021	Gobo 6	
		022ó 024	Gobo 7	
		025ó 027	Gobo 8	
		028ó 030	Gobo 9	
		031ó 033	Gobo 10	
		034ó 036	Gobo 11	
		037ó 039	Gobo 12	
		040ó 042	Gobo 13	
		043ó 045	Gobo 14	
		046ó 048	Gobo 15	
		049ó 051	Gobo 16	
		052ó 055	Gobo 17	
056ó 059	Open			
060ó 127	Gobo schudden 1-17, langzaam tot snel			
128ó 189	Gobowijziging met de klok mee, snel tot langzaam			
190ó 193	Stop			
194ó 255	Gobowijziging tegen de klok in, langzaam tot snel			
10	Prisma 1	000ó 004	Geen functie	
		005ó 255	Inzetstuk van het prisma	
11	Prisma 1 roteren	000ó 127	Prisma-index	
		128ó 189	Rotatie tegen de klok in, langzaam tot snel	
		190ó 193	Stop	
		194ó 255	Rotatie met de klok mee, langzaam tot snel	

DMX-waarden (vervolg)

15CH (vervolg)	Kanaal	Functie	Waarde	Percentage/instelling
	12	Prisma 2	000ó 004 005ó 255	Geen functie Inzetstuk van het prisma
	13	Prisma 2 roteren	000ó 127 128ó 189 190ó 193 194ó 255	Prisma-index Rotatie tegen de klok in, langzaam tot snel Stop Rotatie met de klok mee, langzaam tot snel
	14	Focus	000ó 255	0–100%
	15	Regeling	000ó 029 030ó 039 040ó 049 050ó 059 060ó 069 070ó 079 080ó 089 090ó 099 100ó 109 110ó 119 120ó 129 130ó 139 140ó 149 150ó 159 160ó 169 170ó 179 180ó 189 190ó 199 200ó 219 220ó 229 230ó 239 240ó 247 248ó 255	Geen functie Conventionele modus van de dimmer Lineaire modus van de dimmer Zwenken/kantelen snelle modus Zwenken/kantelen normale modus Verduistering tijdens zwenken/kantelen (3 sec vasthouden) Uitschakelen zwenk-/kantelverduistering (3 sec vasthouden) Verduistering van kleurwielbeweging (3 sec vasthouden) Uitschakelen kleurwielverduistering (3 sec vasthouden) Verduistering van beweging van gobowielen (3 sec vasthouden) Uitschakelen gobowielverduistering (3 sec vasthouden) Lamp aan Resetten zwenken/kantelen Kleurwiel reset Gobowiel reset Geen functie Sluiter-/focusreset Reset alle Alle functies verduisteren tijdens zwenken/kantelen Alle functies verduisteren uitschakelen tijdens zwenken/kantelen Lamp uit Aanloopsnelheid zwenk-/kantelbeweging, verhogen aan Aanloopsnelheid zwenk-/kantelbeweging, verhogen uit

Contact Us WORLD HEADQUARTERS - Chauvet**General Information**

Address: 5200 NW 108th Avenue
 Sunrise, FL 33351
 Voice: (954) 577-4455
 Fax: (954) 929-5560
 Toll free: (800) 762-1084

Technical Support

Voice: (954) 577-4455 (Press 4)
 Fax: (954) 756-8015
 Email: tech@chauvetlighting.com

World Wide Web

www.chauvetlighting.com

UNITED KINGDOM AND IRELAND - Chauvet Europe Ltd.**General Information**

Address: Unit 1C
 Brookhill Road Industrial Estate
 Pinxton, Nottingham, UK
 NG16 6NT
 Voice: +44 (0)1773 511115
 Fax: +44 (0)1773 511110

Technical Support

Email: uktech@chauvetlighting.com

World Wide Web

www.chauvetlighting.co.uk

MEXICO - Chauvet Mexico**General Information**

Address: Av. Santa Ana 30
 Parque Industrial Lerma
 Lerma, Mexico C.P. 52000
 Voice: +52 (728) 285-5000

Technical Support

Email: servicio@chauvet.com.mx

World Wide Web www.chauvet.com.mx

CHAUVET EUROPE - Chauvet Europe BVBA**General Information**

Address: Stokstraat 18
 9770 Kruishoutem
 Belgium
 Voice: +32 9 388 93 97

Technical Support

Email: Eutech@chauvetlighting.eu

World Wide Web

www.chauvetlighting.eu

Outside the U.S., United Kingdom, Ireland, Mexico, or Benelux, contact the dealer of record. Follow their instructions to request support or to return a product. Visit our website for contact details.



UL 1573
 CSA C22.2 No. 166
 E113093

